

# SI-15 / SI-18 VSD ROLL FAST DOORS

*CLEAR P.V.C. DOOR WITH ROBUST VERTICAL OPENING*





wind bar

### Maximum Door Size

5500mm High x 5850mm Wide

A heavy duty robust door with 1.6 mm thick vinyl complete with clear centre section ensures safe transport routes and good visual contact.

Generally used for external applications, this versatile SI-15 / SI-18 Roll-Fast Door is ideal for use in manufacturing and the food industry.

The opening speed between 0.8 m/s to 1500 m/s is designed for doorways up to 5500mm High x 5850mm Wide in normal operation.

The tried-and-tested inversion relay control system is entirely sufficient to ensure safe door operation.

Fold-out side frames facilitate maintenance procedures. The operator and shaft are borne by the cantilever side frames housing the photocell, energy chain and the side tensioning and pull mechanism. Complete with brush seals within the door posts reduce drafts.

Where the SI-15 / SI-18 Roll-Fast Door is exposed to high wind pressures, we recommend using additional aluminium wind safety profiles to give the curtain the necessary rigidity.

Total Clear PVC panel can also be supplied upon request.

### Door specifications

**APPLICATION:** External.

**DOOR SIZE:**

Up to 5500mm High x 5850mm Wide maximum.

**DOOR PANEL:**

Manufactured from 1.6 mm thick vinyl panel with clear centre section, or as an option a 4mm thick clear P.V.C. panel that offers 100% vision can also be supplied.

**WIND LOAD:**

The S15 / SI-18 Roll-Fast Door is capable of withstanding wind loads up to 74kph. Lateral belts, tension springs and pulley systems keep the P.V.C. curtain taut during all operations. As an option, it can be supplied with wind extensions that can increase wind load to 95 kph.

**DOOR SPEED:**

The standard operational speed of the SI-15 / SI-18 Roll-Fast Doors is between 800 mm/sec and 1500 mm/sec.

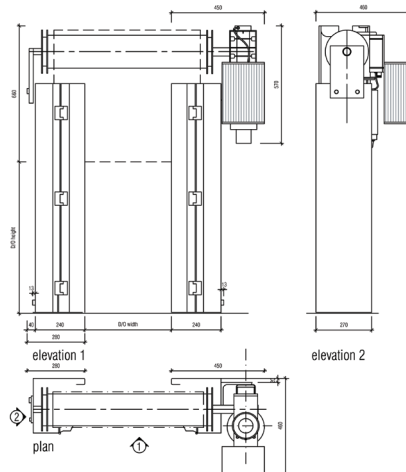
**SAFETY FEATURES:**

A Photo Electric Cell is installed within the door posts to prevent the door closing, should the Photo Electric Cell be obstructed.

**ACTIVE REVERSING EDGE:**

Within the bottom rail a self guarding safety edge system is fitted. This system, when triggered will return the door to the open position and "lock" the door in the open position until reset.

### SI-15 / SI-18 Technical drawing



**CONTROL SYSTEM:**

Housed inside a IP65 Rated Plastic Box this system is microprocessor based, which is specifically designed for the operation of the automatic door, with the flexibility to meet the changing needs of our customers..

**POWER SUPPLY:**

A 10 ampere, three phase, neutral and earth power supply complete with isolating switch.

**DOOR FINISH:**

Standard galvanised or optional powder coated to door posts.

### Standard Features

**Reverse Edge Photo Electric Cell**

**Control Options**

- Inductive Loops
- Microwave Sensors
- Push Buttons
- Infrared Sensors
- Remote Control
- Interlock Facility



**Panel Colours**

- Yellow
- Blue
- Black
- Red