

S1100 ROLL-FAST DOOR

QUICK AND EASY ACCESS, RELIABILITY AND PERFORMANCE



S1100 ROLL-FAST DOOR



QUICK AND EASY ACCESS, RELIABILITY AND PERFORMANCE



Maximum Door Size

4250mm High x 4000mm Wide

The S1100 Roll-Fast Door is designed to suit a large variety of door applications. If speed, safety and reliability are features you require, the S1100 Roll-Fast Door will suit you with an opening speed of up to 1300mm per second.

Constructed from minimal moving parts also reduces any maintenance work. Complete with a special tensioning spring mechanism, this ensures the door curtain is kept taut at all times providing a complete weather seal. Suitable for both internal/external applications.

Door specifications

S1100 Technical drawing

APPLICATION: External / Internal.

DOOR SIZE:

The S1100 Roll-Fast Doors are produced for internal and external openings up to 4250mm High x 4000mm Wide.

DOOR PANEL:

All doors are fitted with a durable vinyl panel with a clear PVC, centre section approximately 900mm – 1200mm high x the full width of the door opening.

DOOR SPEED:

The standard operational speed of the S1100 Roll-Fast Door is between 1100mm and 1300mm per second with a Speed Variator.

SAFETY FEATURES:

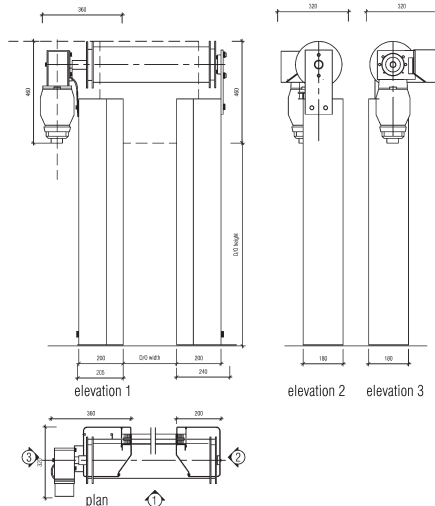
A Photo Electric Cell is installed within the door posts to prevent the door closing, should the Photo Electric Cell be obstructed.

ACTIVE REVERSING EDGE:

Within the bottom rail a self guarding safety edge system is fitted. This system, when triggered will return the door to the open position and "lock" the door in the open position until reset.

CONTROL PANEL:

A Digital Display is supplied to all S1100 Roll-Fast Door control panels. Should a fault occur, it will detail what the fault is and our comprehensive manual will help you with a solution to the problem.



POWER SUPPLY:

A 10 ampere, single phase, neutral and earth power supply complete with isolating switch.

DOOR FINISH:

Standard galvanised or optional powder coated to door posts.

Standard Features

Reverse Edge
Photo Electric Cell

Control Options

- Inductive Loops
- Push Buttons
- Remote Control
- Interlock Facility
- Microwave Sensors
- Infra Red Sensors



Panel Colours

- Yellow
- Blue
- Red
- Orange



Optional ventilation