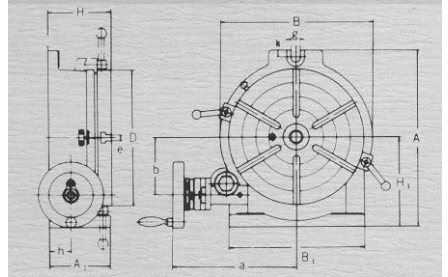
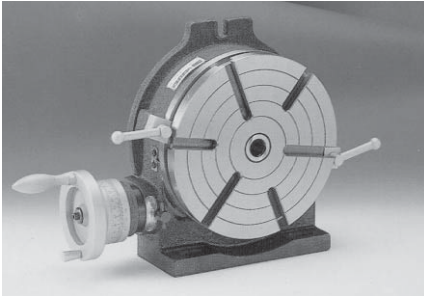
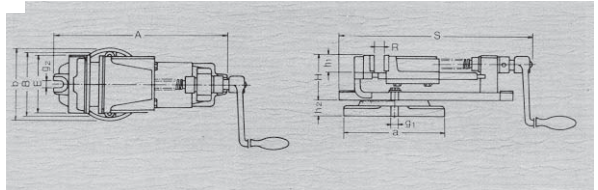
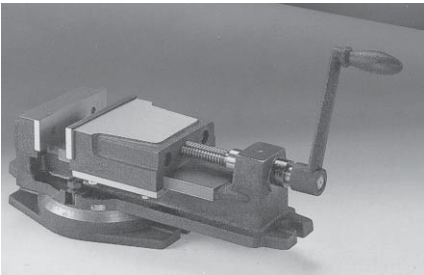


## ROTARY TABLE



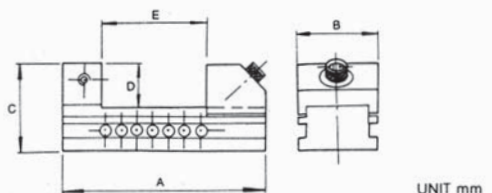
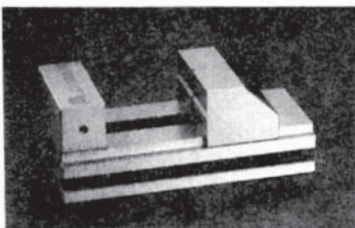
Order No. & Dimensions:										Unit: mm/inches		
Order No.	Table			Base dimension			Width of T-slot		Bolt slots	Center sleeve	Gross Weight kg/lb woodencase(W) Carton(C)	Meas. CFT
	A <sub>1</sub>	D	H	H <sub>1</sub>	A	B	e	Type	g			
HV-6	78 3.07	150 5.91	80 3.11	100 3.94	200 7.87	160 6.30	11 0.43	⊕	15 0.59	MT-2	(C) 12 26.4	0.4
HV-8	100 3.94	200 7.87	105 4.13	135 5.31	265 10.43	220 8.66	14 0.55	⊕	17 0.67	MT-3	(C) 30 66.1	0.8
HV-10	110 4.33	250 9.84	115 4.53	165 6.50	325 12.80	280 11.02	14 0.55	⊗	17 0.67	MT-3	(W) 45 99	2

## MILLING VICE



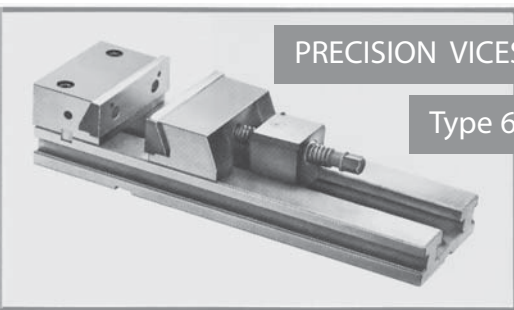
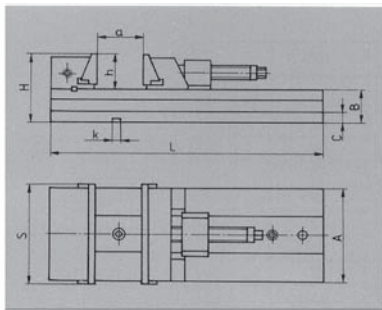
Order No. & Dimensions:												Unit:mm		
Order No.	E	A	B	H	R	S	a	b	h <sub>1</sub>	h <sub>2</sub>	g <sub>1</sub>	g <sub>2</sub>	G.W. Kg	Meas. CFT
VK-4	100	267	106	75	62	295	160	114	30	25	13	13	(C) 11	0.2
VK-6	150	421	160	105	114	462	245	175	40	40	16	16	(C) 28	1.1
VK-8	200	576	215	144	150	620	340	230	58	45	18	18	(W) 58	1.5

## TOOLMAKERS VICE



UNIT mm						
NO	MODEL	A	B	C	D	NW
38	MCL-V30	190	73	80	40	4.5kgs

Squareness and Parallelism:  
Within 0.005mm Per 100mm


**PRECISION VICES**
**Type 6566**

Used for precision grinding and milling.

Widely used with CNC and standard machine tools for work in assemblies, on pallet and individually

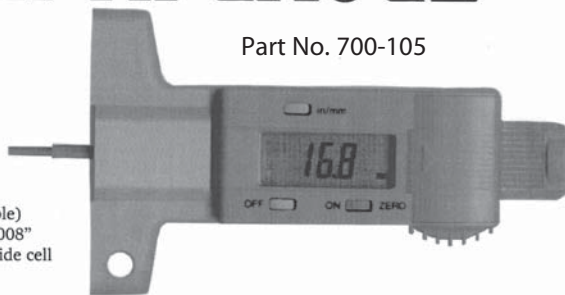
- high positioning repeatability
- fixed jaw reversible
- movable jaw quick readjustable, self-adjusting
- possibility of using removable jaw inserts
- possibility of setting up the vice on swivel base
- made of high-grade alloy steel, stabilized and hardened

Standard accessories: wrench, slot nuts, lug hold down.

Size	S	A	B	C	H	L	a max	h	k (H7)	Max clamping force daN	Weight kg
100/320	100	85	35	13	70	320	160	35	12	2000	9,0
125/335	125	105	42	15	85	335	160	43	12	3000	13,0
150/425	150	140	52	18	109	425	210	57	20	4100	28,0
150/475	150	140	52	18	109	475	260	57	20	4100	30,0
200/535	200	165	61	20	126	535	260	65	20	4500	48,0
200/585	200	165	61	20	126	585	310	65	20	4500	50,0
200/635	200	165	61	20	126	635	360	65	20	4500	52,0

# PLASTIC Mitutoyo DEPTH GAUGE

Part No. 700-105



## Remarks

1. Measuring Range: 0 – 25mm/1"
2. Resolution: 0.1mm/.001" (switchable)
3. Instrumental Error:  $\pm 0.2\text{mm}/\pm 0.008''$
4. Power source: Button-type silver oxide cell
5. Battery life: Approx. 1 years
6. Response speed: 1,600 mm/s
7. Display: LCD digits.(-) model, Height of LCD characters 7.5mm
8. Alarm: Low voltage, Overspeed
9. Operation temperature: 0 – 40°C  
Storage temperature: 10 – 60°C (Temperature range at which Instrument error is guaranteed:  $20 \pm 10^\circ\text{C}$ )